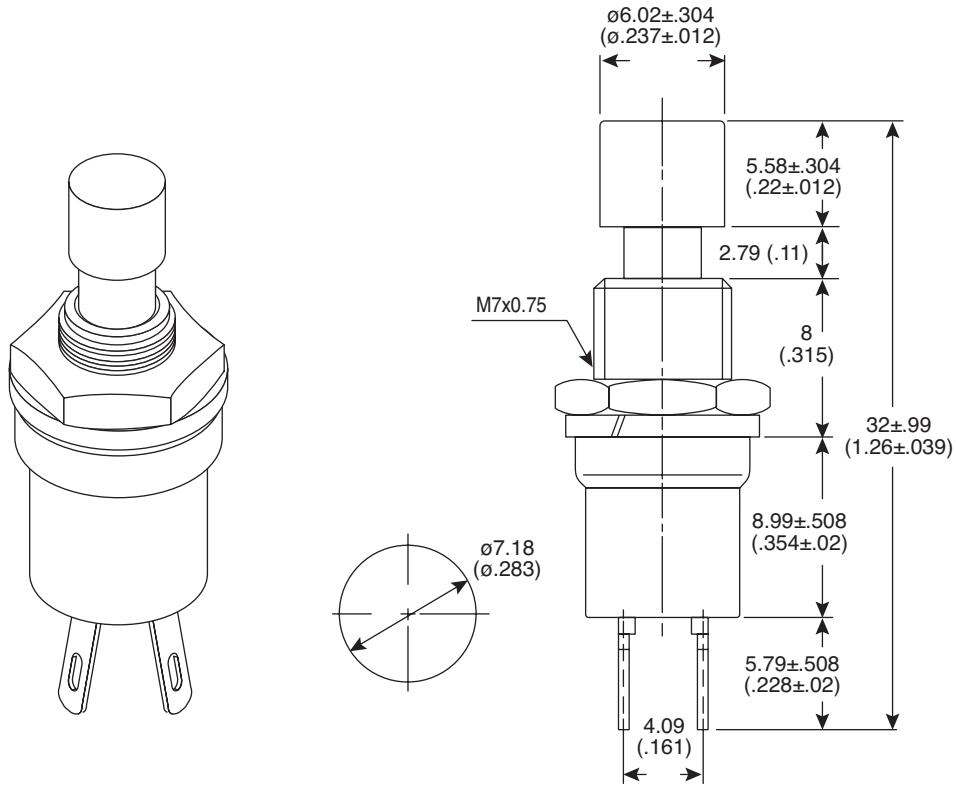


Dimensions: mm (In)



**Electrical Specifications:**

- Rating: 3A/125VAC, 1.5A/250VAC
- Contact resistance: 50mΩ max
- Insulation resistance: 500VDC 100MΩ min
- Dielectric strength: 1000VAC for 1 minute

**Mechanical Specifications:**

- Circuit: 2P SPST on-(off)

**Note:**

- RoHS Compliant by exemption

MOUSER STOCK NO.	Button Color
103-1015-EVX	Red
103-1016-EVX	Black

**Pushbutton Switches**  
103-1015-EVX, 103-1016-EVX

